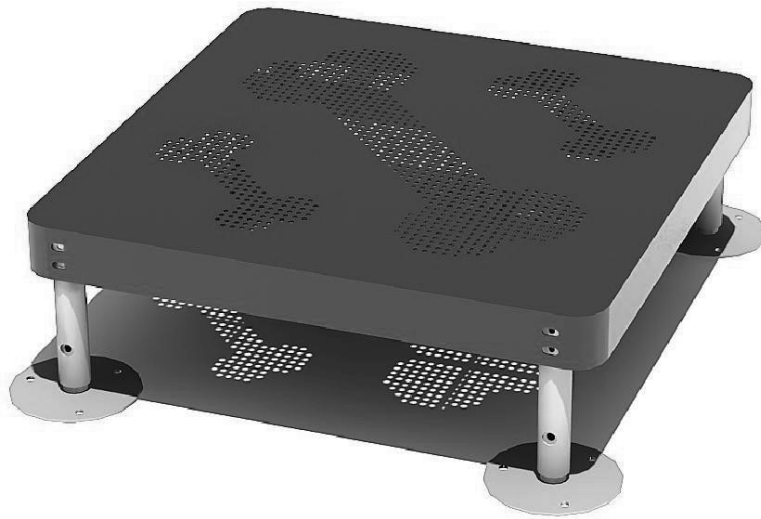


TRASHCANS UNLIMITED

THE BEST TRASH CANS AT THE BEST PRICES

Installer's Reference



Starter Platform

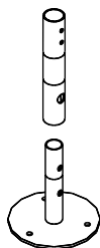
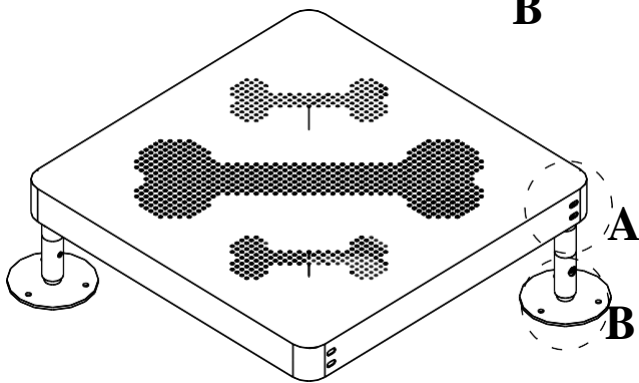
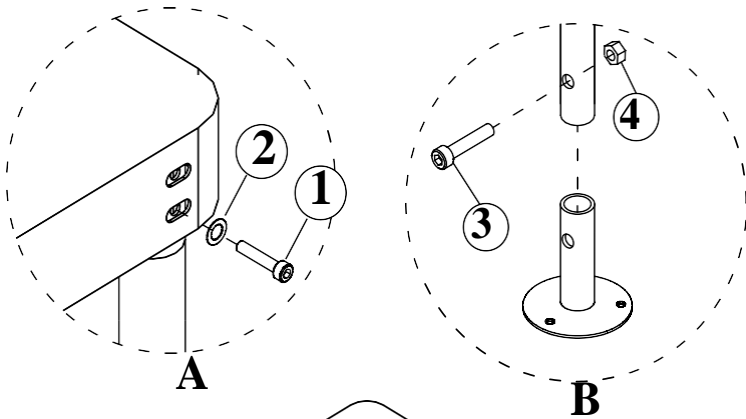
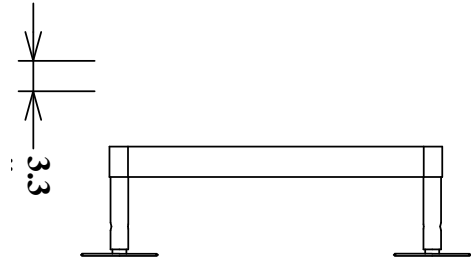
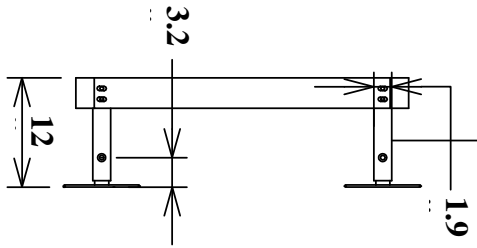
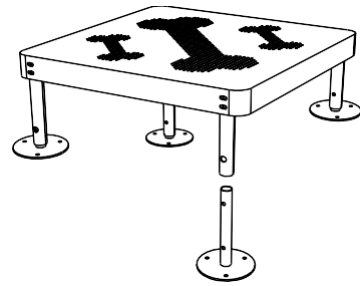
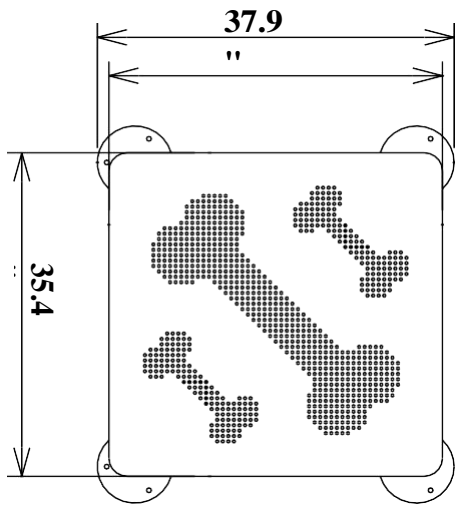
Models BAR70040F and BAR70040S

Know What's Below

As with all projects involving digging, start by knowing what is in the ground below. Underground utilities may include cable, electric, sprinklers, sewer, water, telecommunications, drainage pipes and sprinklers. You can usually accomplish this with one phone call (Dial 811) to your state's underground utility service.

Conduct an Inventory

Begin installation with of hardware and parts, assuring everything you need is onsite when you begin.



1. TAMPER RESISTANT TORX-BOLT, M10x65 (4)
2. FLAT WASHER, M10 (4)
3. TAMPER RESISTANT TORX-BOLT, M10X65, 4
4. LOCK NUT, M10 (4)