

# TRASHCANS UNLIMITED

THE BEST TRASH CANS AT THE BEST PRICES

## Installer's Reference



### **Me and My Pal Bench**

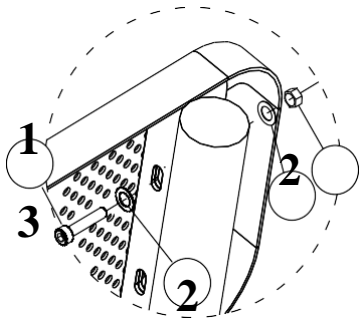
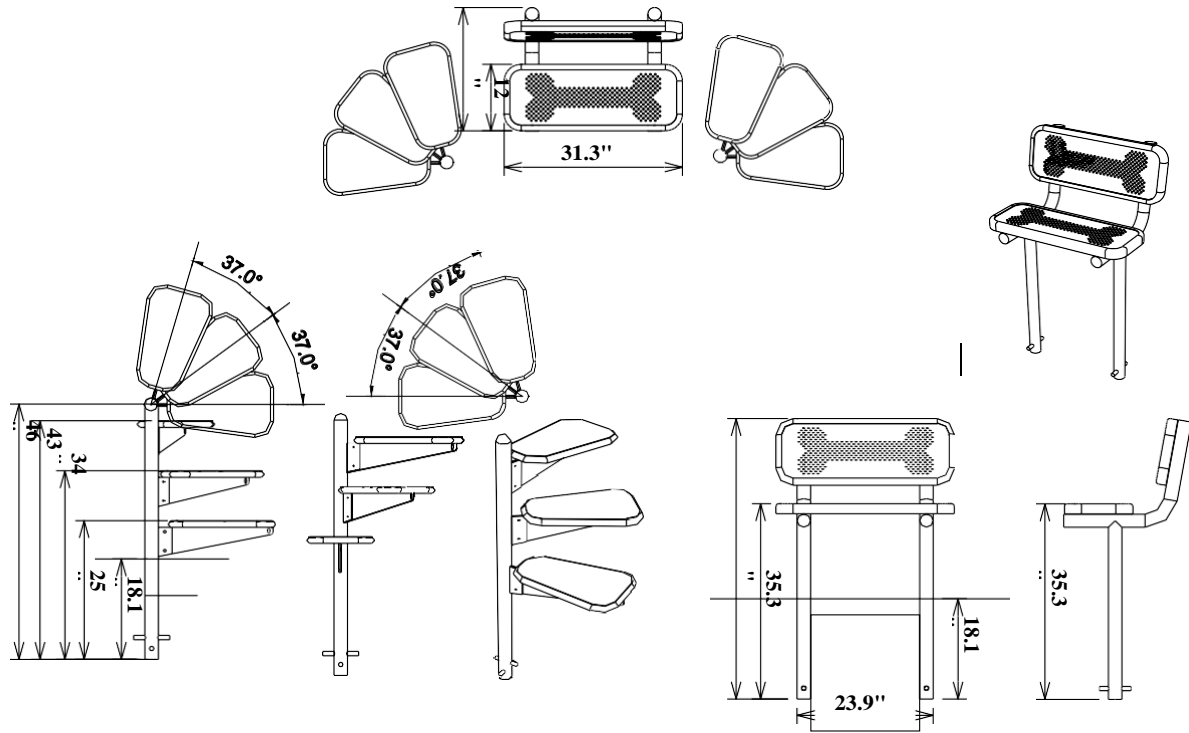
Models BAR70080 Fand BAR70080S

#### **Know What's Below**

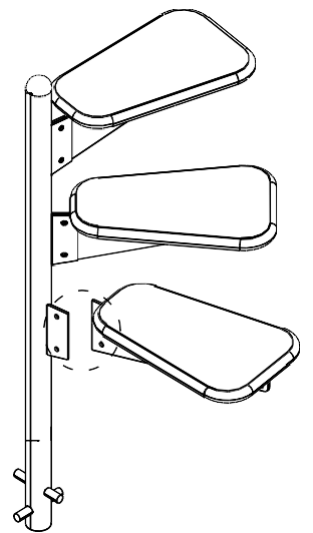
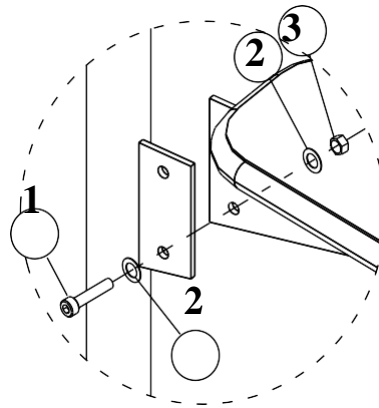
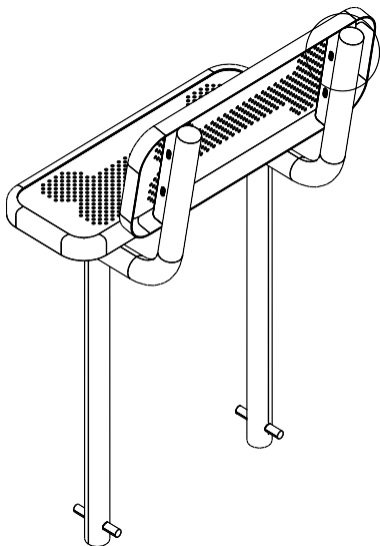
As with all projects involving digging, start by knowing what is in the ground below. Underground utilities may include cable, electric, sprinklers, sewer, water, telecommunications, drainage pipes and sprinklers. You can usually accomplish this with one phone call (Dial 811) to your state's underground utility service.

#### **Conduct an Inventory**

Begin installation with of hardware and parts, assuring everything you need is onsite when you begin.



1. TAMPER RESISTANT TORX-BOLT, M10x30 (8)
2. FLAT WASHER, M10 (16)
3. LOCK NUT, M10 (8)



1. TAMPER RESISTANT TORX-BOLT, M10x30 (6)
2. FLAT WASHER, M10 (12)
3. LOCK NUT, M10 (6)