

B-1022 Bracket Kit for WR-10/22

For Pole or Wall Mount Applications

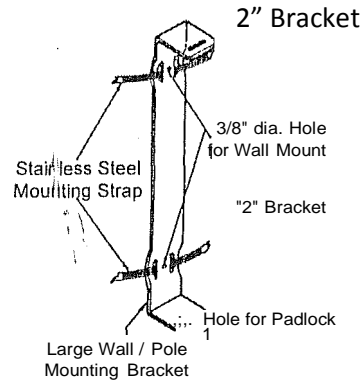
Bracket Kit Includes:

Qty. Description

- (1) - Large pole / wall bracket
- (2) - "2" brackets
- (4) - 1/4-20" x 1/2" hex head bolts
- (4) - 1/4-20" hex "kep" nuts
- (2) - Stainless steel straps

Mounting

1. Decide proper height for basket, and mount large bracket to pole or wall. Bottom of bracket should be positioned 3/4" higher than final height to bottom of basket.

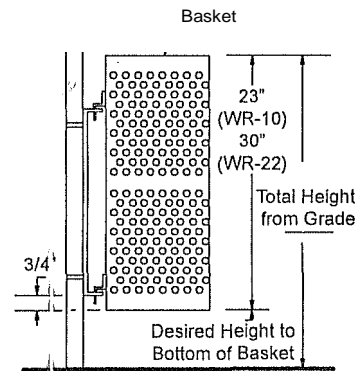


For Pole Mount

1. Insert straps as shown through the top and bottom of large bracket, and tighten on pole. Cut off any unused portion of the strap. (Approx. 2" beyond the clip).

For Wall Mount

1. Screw or bolt the large bracket using the recommended hardware for your particular substrate, through the two large hole (3/8" dia.) located between the strap mounting slots on the large bracket.



To Mount "2" Brackets

1. Drill (4) 4/16" dia. holes in the basket adjacent to the seam in the back of the basket. (See sketch for dimensional layout).
2. Mount both "2" brackets on the baskets with the pad lock hole flange pointing down, using (2) 1/4-10 x 1/2" hex head bolts and hex "kep" nuts per bracket.