

Harbor 1 Service Center with StoneTec Panels

Item#:



755111 – Gray w/ Ashtone Panels



755113 – Black w/ Pepperstone Panels



755114 – Black w/ Sedona Panels



755152 – Black w/ Riverstone Panels

Material Process: Blow-Molded with HDPE

Standard Inclusions: (1) Removable water bucket (1) Squeegee

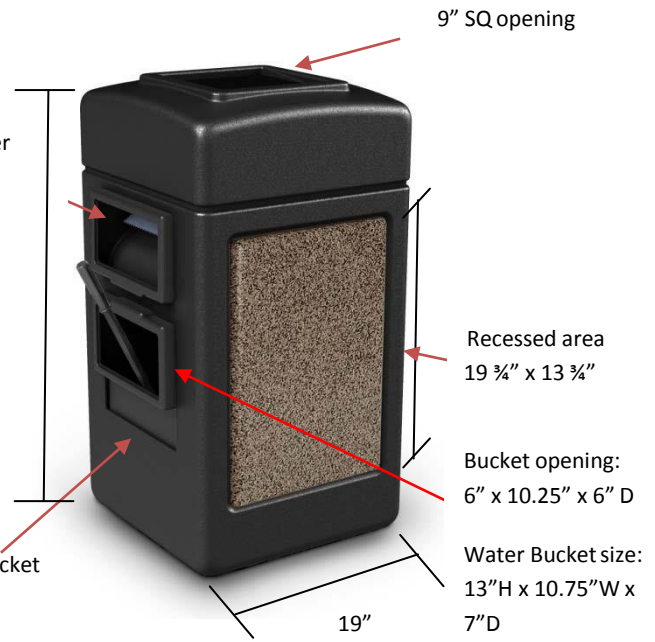
Unit Size	Capacity	Weight
34 ½" H 18 ½" W 19" L	28-Gallons	59 lbs

Carton Size	# Cartons Shipped	Dimensional Wt.	Carton Wt.
19" L x 20" W x 35" H	(1) via UPS	80 lbs	60 lbs

Standard towel dispenser
Suggested towel size
10"x10"

34 ½"

Removable water bucket
2-gallon capacity



Made with real stone
Magnified Image



Ashtone



Pepperstone



Riverstone



Sedona

The Harbor 1 is a combined washer unit, waste receptacle, and towel dispenser which utilize limited space. The Harbor 1 is a durable unit that is user friendly with a large opening. Attractive StoneTec panels are made with real stone, are extremely durable, add extra weight to the receptacle for added dependability and are easy to clean.

- Polymer-concrete stone panels attach to three sides of the receptacle and add approximately 30 lbs to the receptacle creating a durable convenience center that enhances your image
- 28-gallon trash capacity, uses 45-gallon trash bags
- Interior Splash Guard that protects the towels from trash and allows for trash bag to be removed easily
- Standard size towel dispenser, accommodates 1 or 2-ply folder paper towels, suggested towel size: 10" x 10"
- Snap fit lid closure; additional bump outs on telescopic area helps secure lid to base
- Raised washer bucket allows for convenient access and 2-gallon water bucket is removable for cleaning
- Patented Grab Bag™ system and additional routed openings secures trash bag in place for a neat appearance
- Waste container* is molded with at least 25% post consumer recycled content
- Made in U.S.A
- 1-year warranty



*Made with at least 25 % post consumer recycled material



Product is ADA compliant



Optional security hardware is available