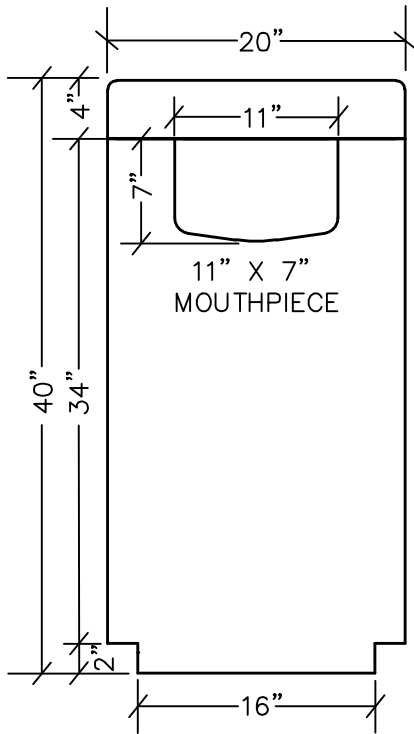
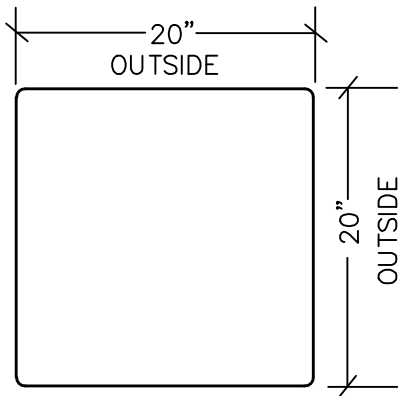


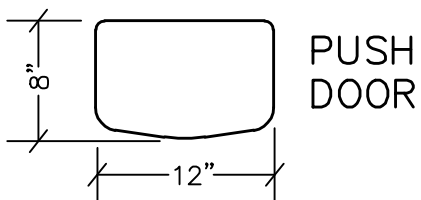
AMBER RECEPTACLE  
MODEL NUMBER 7AM 2040T TD TA TAD

RECEPTACLE

TOP VIEW

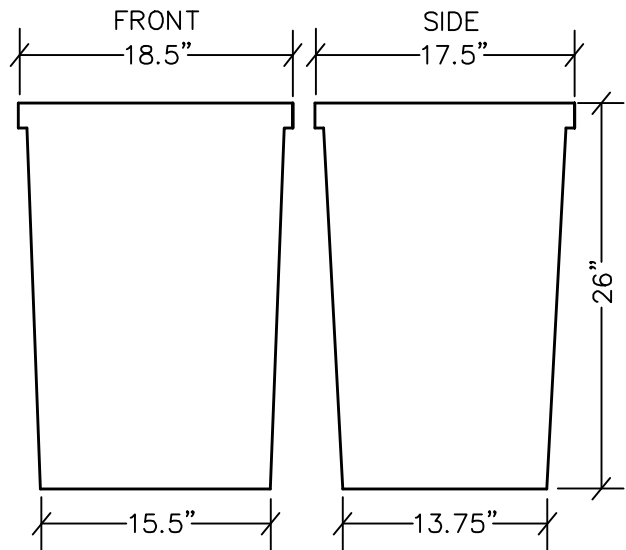
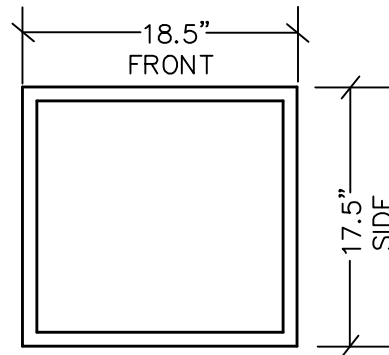


SIDE VIEW

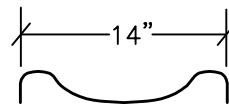


SIDE VIEW

LINER  
TOP VIEW



SIDE VIEW



ASHTRAY

RECEPTACLE

LINER